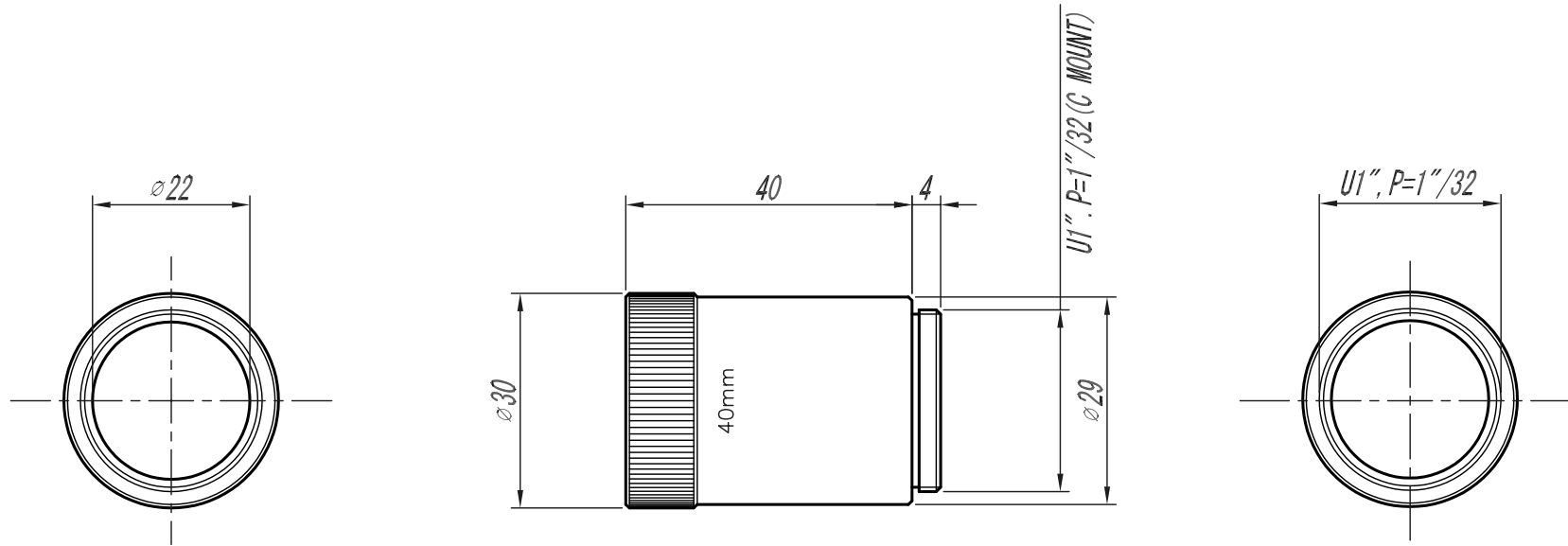


|    |    |    |    |    |
|----|----|----|----|----|
| 品番 | 品名 | 材料 | 個數 | 記事 |
|----|----|----|----|----|



|   |      |          |               |          |         |                     |       |      |      |                       |           |           |           |                    |     |                        |  |             |  |
|---|------|----------|---------------|----------|---------|---------------------|-------|------|------|-----------------------|-----------|-----------|-----------|--------------------|-----|------------------------|--|-------------|--|
| △ |      |          |               | APPROVED | CHECKED | MATERIAL 材料         |       |      |      | FINISH/ROUGHNESS 仕上程度 |           |           |           | HEAT TREATMENT 熱処理 |     | SURFACE TREATMENT 表面処理 |  | QUANTITY 個數 |  |
| △ |      |          |               | J. A.    | T. A.   |                     |       |      |      |                       |           |           |           |                    |     |                        |  |             |  |
| △ |      |          |               | DESIGNED | DRAWN   | OVER 250 UP TO 1000 | ±0.3  | ±0.5 | ±1.0 | ±0.2                  | UNIT (mm) | ANGLE 角度  | METHOD 図法 | REMARK 適用 (機種名)    |     |                        |  |             |  |
| △ |      |          |               |          |         | OVER 63 UP TO 250   | ±0.2  | ±0.3 | ±0.6 | ±0.15                 |           |           |           | SV-EXR40           |     |                        |  |             |  |
| △ |      |          |               | T. T.    | T. M.   | OVER 16 UP TO 63    | ±0.1  | ±0.2 | ±0.4 | ±0.1                  |           | SCALE     | 1/1       | NAME               | 外觀圖 |                        |  |             |  |
| △ |      |          |               |          |         | OVER 0 UP TO 16     | ±0.05 | ±0.1 | ±0.2 | ±0.1                  | DATE      | '03.08.10 | DRAW NO.  | 0DAD0021A1         |     |                        |  |             |  |
|   | DATE | EXCH NO. | REVISION 変更記事 |          |         | TOLERANCES          | A     | B    | C    | S                     |           |           |           |                    |     |                        |  |             |  |