

Phoenix™

Polarization Models Available

Flexible Camera Module Designed for Easy OEM Integration

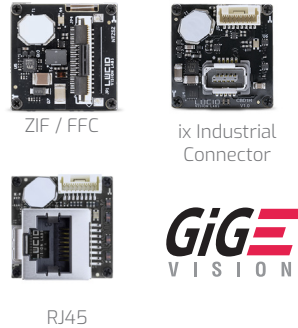


- Wide selection of sensors from 0.4 MP to 20 MP
- 4 lens mounts & 3 connectors
- 3 camera orientations

Lens Mounts



Connectors



Transformable

Transform Kit for multiple 90° and 180° shape configurations.

Phoenix Models

28x28mm

Model	MP	Resolution	FPS	Sensor	Format	Pixel Size	Shutter	Lens Mount	Chroma	GigE Interface
PHX200S	20.0 MP	5472 x 3648 px	6 fps	Sony IMX183 CMOS	1"	2.40 µm	Rolling	C	M/C	RJ45 / ix
PHX120S	12.3 MP	4096 x 3000 px	10 fps	Sony IMX304 CMOS	1.1"	3.45 µm	Global	C	M/C	RJ45 / ix
PHX089S	8.9 MP	4096 x 2160 px	13.7 fps	Sony IMX267 CMOS	1"	3.45 µm	Global	C	M/C	RJ45 / ix

24x24mm

Model	MP	Resolution	FPS	Sensor	Format	Pixel Size	Shutter	Lens Mount	Chroma	GigE Interface
PHX122S	12.2 MP	4024 x 3036 px	9.7 fps	Sony IMX226 CMOS	1/1.7"	1.85 µm	Rolling	C	M/C	RJ45 / ix
PHX064S	6.3 MP	3072 x 2048 px	19.5fps	Sony IMX178 CMOS	1/1.8"	2.40 µm	Rolling	C	M/C	RJ45 / ix
PHX050S-P/Q	5.0 MP	2448 x 2048 px	24 fps	Sony IMX250MZR CMOS Sony IMX250MYR CMOS	2/3"	3.45 µm	Global	C/NF	Polarized M Polarized C	RJ45 / ix
PHX050S	5.0 MP	2448 x 2048 px	24 fps	Sony IMX264 CMOS	2/3"	3.45 µm	Global	C / NF / none	M / C	RJ45 / ix
PHX032S	3.2 MP	2048 x 1536 px	38 fps	Sony IMX265 CMOS	1/1.8"	3.45 µm	Global	C / NF / S	M / C	RJ45 / ix / FFC
PHX023S	2.3 MP	1920 x 1200 px	52 fps	Sony IMX392 CMOS	1/2.3"	3.45 µm	Global	C / NF / S	M / C	RJ45 / ix
PHX016S	1.6 MP	1440 x 1080 px	77 fps	Sony IMX273 CMOS	1/2.9"	3.45 µm	Global	C / NF / S	M / C	RJ45 / ix
PHX004S	0.4 MP	728 x 544 px	291 fps	Sony IMX287 CMOS	1/2.9"	6.9 µm	Global	C / NF / S	M / C	RJ45 / ix

PhoenixTM

The World's Smallest Industrial PoE Camera



Specifications

Interface, Power, and Size Information	
Digital Interface	1000BASE-T RJ45 PoE, FFC PoE, ix Industrial Connector PoE
GPIO Interface	8 pin JST connector
Opto-isolated I/O ports	1 input, 1 output
Non-isolated I/O ports	2 bi-directional
Dimensions*	24x24x27.35 mm / 28x28x28.4 mm
Lens Mount	C, NF, S, No Mount
Weight	30 g (24x24mm) / 39 g (28x28mm)
Power Requirement	PoE IEEE 802.3af, or 12-24VDC external
Power Consumption	3.1W via PoE, 2.6W via V_ext

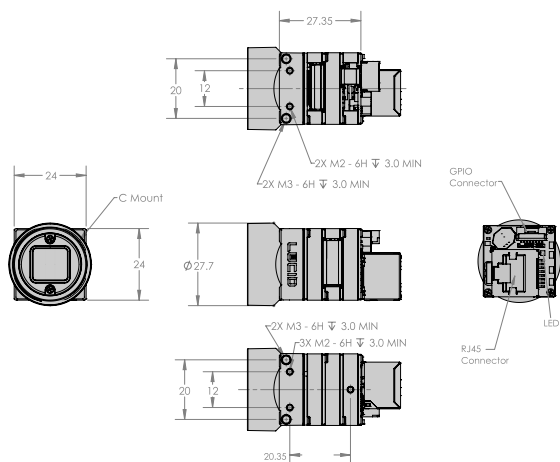
*Not including lens barrel or interface ports

Standard and Certifications	
Standard	GigE Vision v2.0
Compliance	CE, FCC, RoHS, REACH, WEEE
Storage Temperature	-30 to 60°C
Operating Temperature	-10 to 55°C ambient
Humidity	Operating: 20% ~ 80%, relative, non-condensing
Storage Humidity	20%~95%, relative, non-condensing
Warranty	3 years

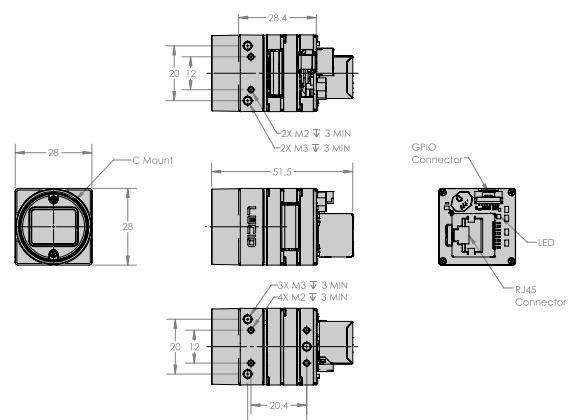
Imaging Properties	
Image Buffer	128 MB
Image Processing	Gain, gamma, black level, white balance, LUT, CCM, pixel correction, hue, saturation, color space conversion
Pixel Formats	Mono8/10/12/16, Bayer8/10/12/16, RGB8, YUV422, YUV411
Image Modes	Horizontal and vertical binning, decimation, ROI, horizontal and vertical flip
ADC	12 bit
Gain Range	0 dB to 48 dB analog and digital
Exposure Time	30 μs to 10 s

Camera Features	
User Sets	1 default and 2 custom
File System Size	16 MB
Chunk Data	Timestamp, frame counter, offset X/Y, width/height, exposure time, gain, black level, line status, sequencer set
Event Data	Acquisition start/end, exposure start/end, line rise/fall, error
Counter & Timer	2 counters and 2 timers
Sequencer	Exposure time, gain
Synchronization	Software trigger, hardware trigger, PTP (IEEE 1588)

C-Mount 24x24 mm Model



C-Mount 28x28 mm Model



For more schematics please visit www.thinklucid.com/phoenix/

